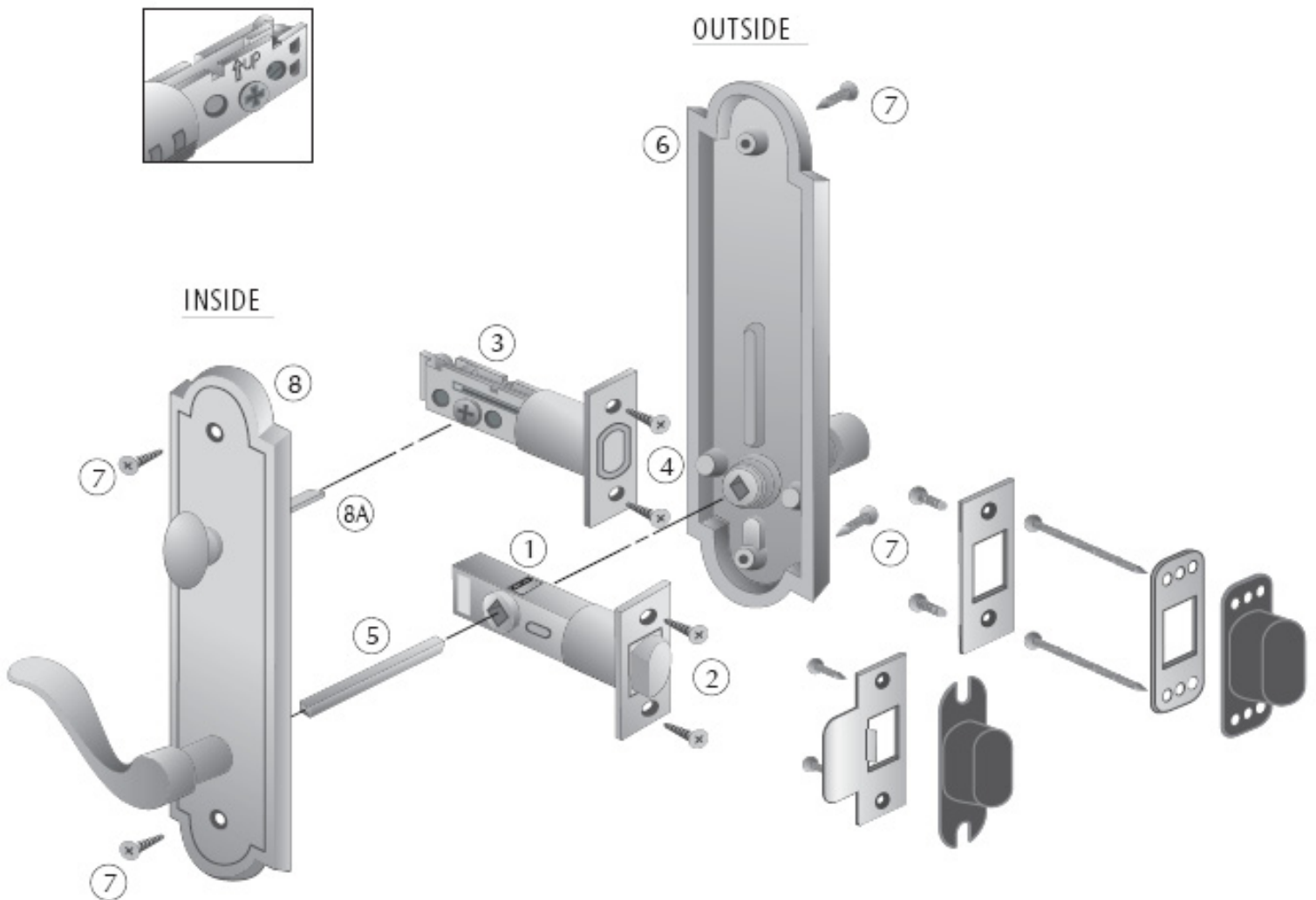


INSTALLATION INSTRUCTIONS

Seamless Transaction with Enhanced Product Features delivered on time and quality correct.

03P FUNCTION



INSTALLATION INSTRUCTIONS



Seamless Transaction with Enhanced Product Features delivered on time and quality correct.

03P FUNCTION

LATCH:

- A. Install the latch (1) into the bottom edge bore. Make sure that the bevel on the latch tongue is facing the jamb. The latch should be in the "up" position. (The latch is removable so that the bevel can be reversed to maintain the "up" position of the latch.)
- B. Fasten with screws (2). Pre-drill for screws using a 1/8" drill bit.
- C. Install the strike and dustbox on the jamb. Pre-drill for screws using a 1/8" drill bit

DEADBOLT:

- D. Install the deadbolt latch (3) into the top bore with the arrow facing up (caption). Fasten with screws (4). Pre-drill with 1/8" drill bit.
- E. With a screwdriver or similar tool turn the deadbolt (3) hub so that the bolt is in the protracted (out) position.

TRIM:

- F. Orient the spindle (5) in the diamond position and push through the latch hub (1).
- G. Inside Trim - Rotate the tailpiece (8A) to the vertical position and slip the tailpiece into the bolt (3).
- H. Outside Trim - Slip the spindle (5) into the lever hub on the outside plate (6).
- I. Making sure that the plates are parallel with edge of the door, install the four wood screws (7) to affix the plates to the door. We recommend the use of a #5 VIX bit to pilot the screw holes for these screws. (If you do not have one, use a 3/32" drive bit to pilot the holes.) Hand tighten the screws as a power driver may strip them.
- J. Install the deadbolt strike and dustbox on the jamb. Pre-drill for the 3" screws using a 1/8" drill bit.