



# Section A

## Passage & Privacy Single Dummy



### General Information

A passage or privacy set includes:

- two backplates
- two levers or knobs assembled to plates with return springs
- spindle or split spindle
- latch, 28° retraction
- T-strike
- All passage and privacy sets include fastening devices to accommodate doors 1-3/8" thick to 1-3/4" thick. Specify thickness when used on doors other than standard. Latches for doors over 2-1/4" thick are not covered by warranty.

All single dummies include one lever and one backplate with fastening devices. Please specify door hand. Full dummy sets are not supplied for passage or privacy, combine single dummies.

Latch strikes are a standard T-strike, but full lip strike can be substituted upon request when ordering.

Standard backset on latch and deadbolts is 2-3/8", but can be substituted with 2-3/4" upon request when ordering.

Through bolts available upon request when ordering.

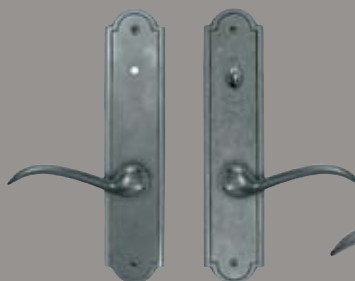


**01: Passage  
Tubular Latch**

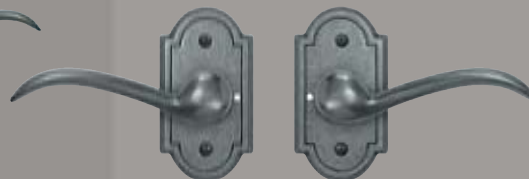
**09L: Single Dummy - LH**



**09R: Single Dummy - RH**



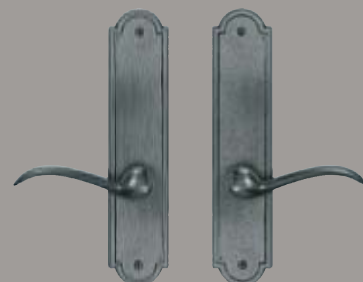
**02MB: Privacy  
Mortise Bolt**



**02: Privacy  
Tubular Latch**



**02MS: Privacy  
Mortise Box**



**01MS: Passage  
Mortise Box**



# Passage & Privacy & Single Dummy

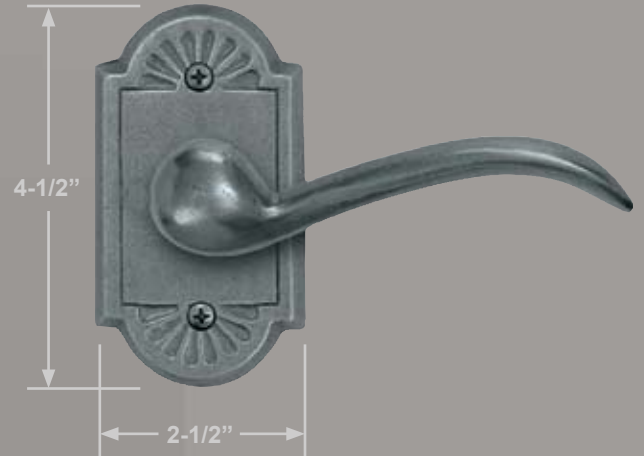
01 PASSAGE 02 PRIVACY 09 SINGLE DUMMY 01MS PASSAGE MORTISE BOX  
 02MS PRIVACY MORTISE BOX 02MB PRIVACY with 0219 BOLT  
 EXAMPLE OF ORDERING: LEVER/KNOB - PLATE - FUNCTION



10 Plate



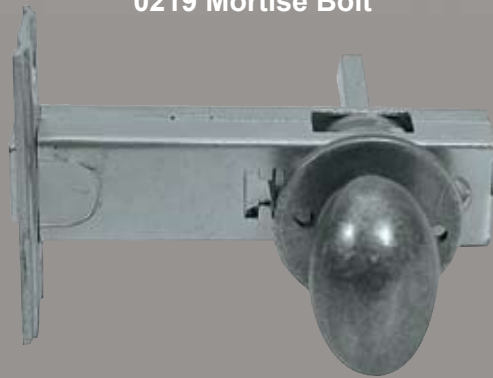
30 Plate



10N Plate



0219 Mortise Bolt



530-01 AN



Lever/Knob	Plate	Function	Description	H	T
2,3,4,5,7	10, 10N	-01	PASSAGE TUBULAR		X
2,3,4,5,7	10, 10N	-02	PRIVACY TUBULAR		X
2,3,4,5,7	10, 10N	-09	SINGLE DUMMY	X	
2,3,4,5,7	30	-01	PASSAGE TUBULAR		X
2,3,4,5,7	30	-02	PRIVACY TUBULAR		X
2,3,4,5,7	30	-09	SINGLE DUMMY	X	
N/A	0219		MORTISE BOLT w/ THUMBTURN & SPINDLE		X

Split Finish up-charge: Refer to pricing catalogue.  
 Split Trim up-charge: Refer to pricing catalogue.  
 N = No Line

H = indicate handing of door  
 T = indicate thickness of door

3 diameter 2-1/4" projection 2-5/8"

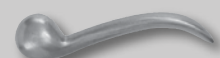
5 diameter 1-3/4" 2-1/4" projection 2-5/8"



4 length 4-3/8" projection 2-1/2"



7 length 5-3/8" projection 2-3/4"



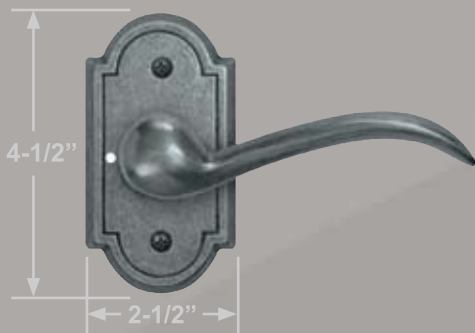
# Passage & Privacy & Single Dummy



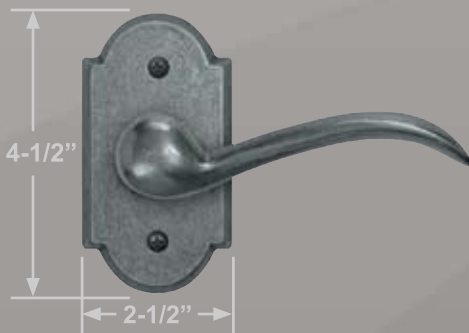
01 PASSAGE 02 PRIVACY 09 SINGLE DUMMY 01MS PASSAGE MORTISE BOX  
 02MS PRIVACY MORTISE BOX 02MB PRIVACY with 0219 BOLT  
 EXAMPLE OF ORDERING: LEVER/KNOB - PLATE - FUNCTION

730-01

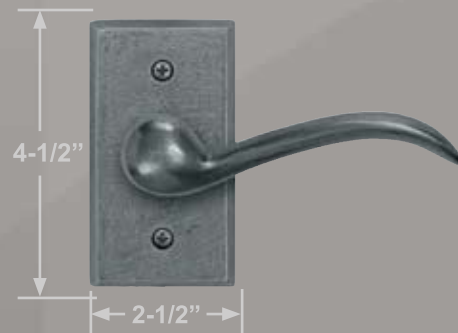
50 Plate



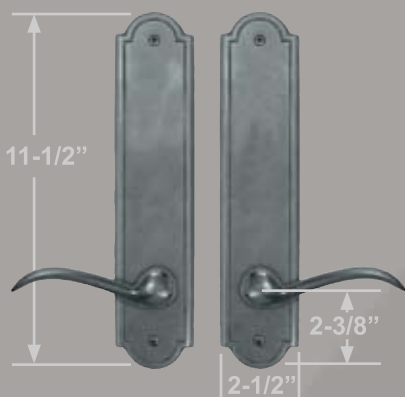
50N Plate



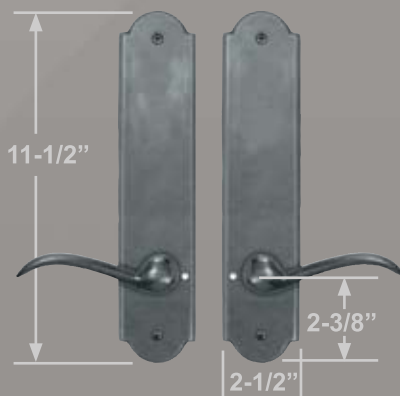
60N Plate



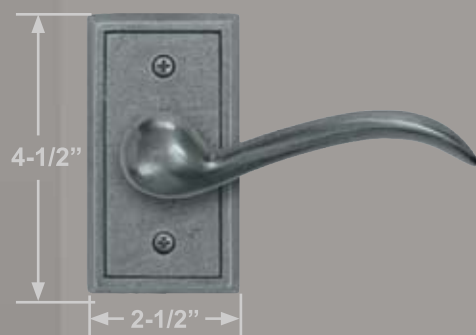
45 Plate 01 Function



45N Plate 02 Function



60 Plate



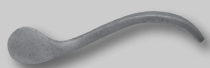
Lever/Knob	Plate	Function	Description	H	T
2,3,4,5,7	50, 50N	-01	PASSAGE TUBULAR		X
2,3,4,5,7	50, 50N	-02	PRIVACY TUBULAR		X
2,3,4,5,7	50, 50N	-09	SINGLE DUMMY	X	
2,3,4,5,7	60, 60N	-01	PASSAGE TUBULAR		X
2,3,4,5,7	60, 60N	-02	PRIVACY TUBULAR		X
2,3,4,5,7	60, 60N	-09	SINGLE DUMMY	X	
2,3,4,5,7	45, 45N	-01	PASSAGE TUBULAR		X
2,3,4,5,7	45, 45N	-02	PRIVACY TUBULAR		X
2,3,4,5,7	45, 45N	-09	SINGLE DUMMY	X	

Split Finish up-charge: Refer to pricing catalogue.  
 Split Trim up-charge: Refer to pricing catalogue.  
 N = No Line

H = indicate handing of door  
 T = indicate thickness of door

3 diameter 2-1/4" projection 2-5/8"

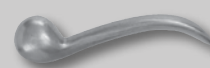
5 diameter 1-3/4" 2-1/4" projection 2-5/8"



2 length 4-4/8" projection 2-1/4"



4 length 4-3/8" projection 2-1/2"



7 length 5-3/8" projection 2-3/4"

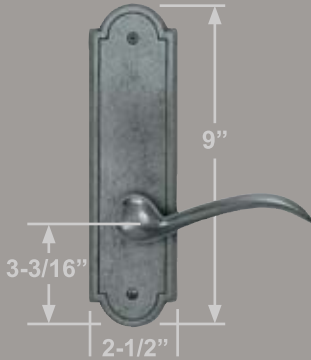


# Passage & Privacy & Single Dummy

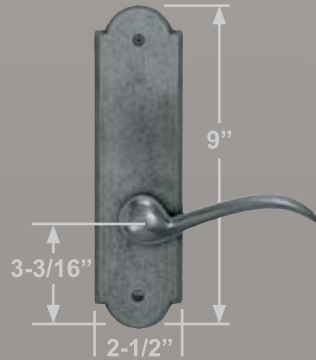
01 PASSAGE 02 PRIVACY 09 SINGLE DUMMY 01MS PASSAGE MORTISE BOX  
 02MS PRIVACY MORTISE BOX 02MB PRIVACY with 0219 BOLT  
 EXAMPLE OF ORDERING: LEVER/KNOB - PLATE - FUNCTION



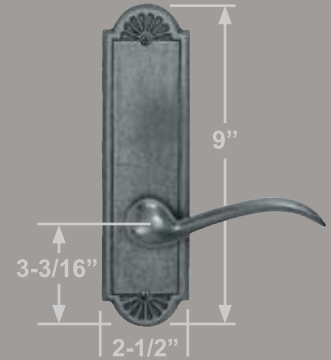
40 Plate



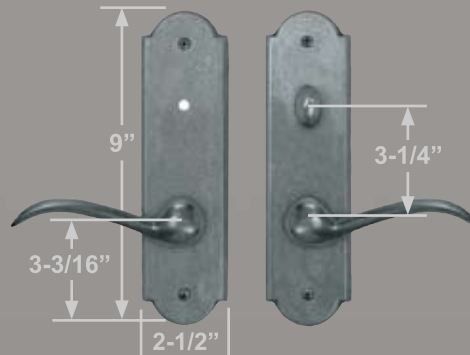
40N Plate



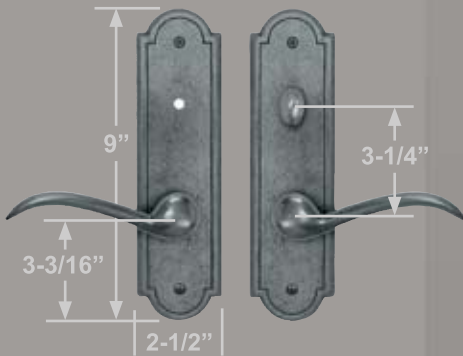
20 Plate



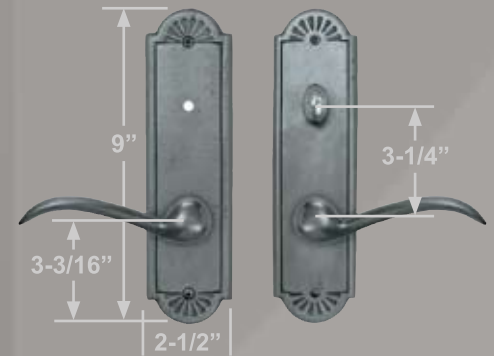
40N Plate 02MB Function



40 Plate 02MB Function



20 Plate 02MB Function



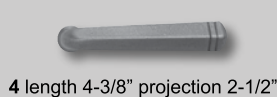
Lever/Knob	Plate	Function	Description	H	T
2,3,4,5,7	20	-01	PASSAGE TUBULAR		X
2,3,4,5,7	20	-01MS	PASSAGE MORTISE BOX	X	X
2,3,4,5,7	20	-02	PRIVACY TUBULAR		X
2,3,4,5,7	20	-02MS	PRIVACY MORTISE BOX	X	X
2,3,4,5,7	20	-02MB	PRIVACY TUBULAR WITH 0219 BOLT	X	
2,3,4,5,7	20	-09	SINGLE DUMMY		X
2,3,4,5,7	40, 40N	-01	PASSAGE TUBULAR		X
2,3,4,5,7	40, 40N	-01MS	PASSAGE MORTISE BOX	X	X
2,3,4,5,7	40, 40N	-02	PRIVACY TUBULAR		X
2,3,4,5,7	40, 40N	-02MS	PRIVACY MORTISE BOX	X	X
2,3,4,5,7	40, 40N	-02MB	PRIVACY TUBULAR WITH 0219 BOLT	X	X
2,3,4,5,7	40, 40N	-09	SINGLE DUMMY	X	

Split Finish up-charge: Refer to pricing catalogue.  
 Split Trim up-charge: Refer to pricing catalogue.  
 N = No Line

H = indicate handing of door  
 T = indicate thickness of door

3 diameter 2-1/4" projection 2-5/8"

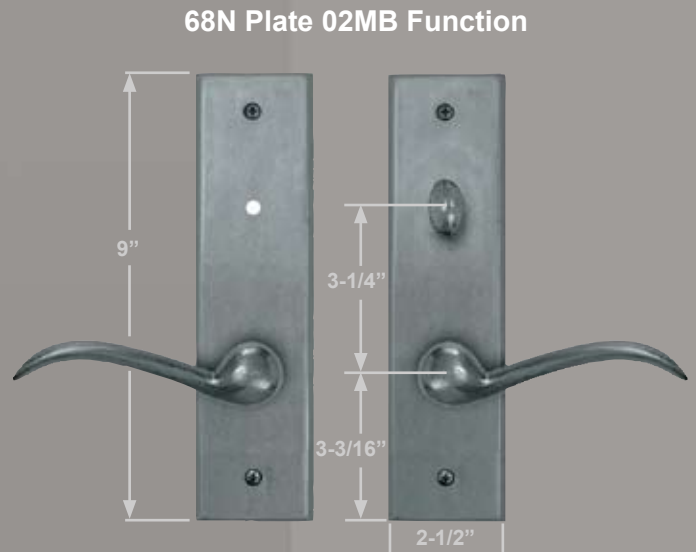
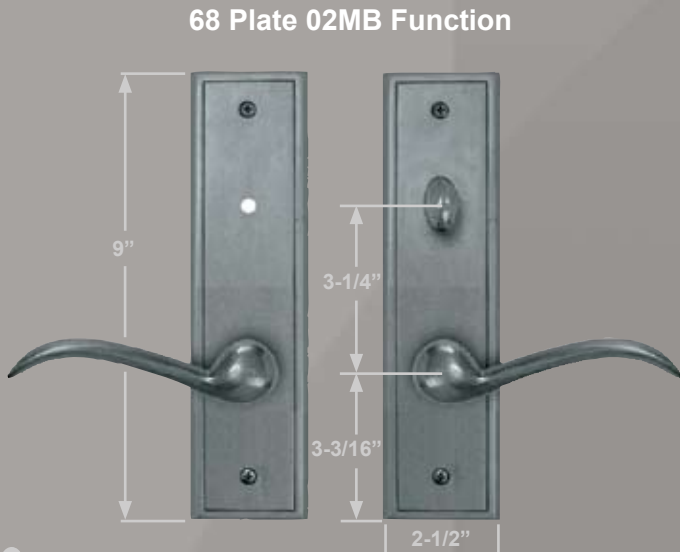
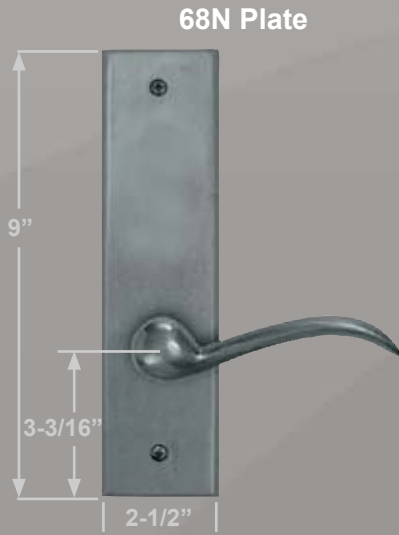
5 diameter 1-3/4" 2-1/4" projection 2-5/8"



# Passage & Privacy & Single Dummy



01 PASSAGE 02 PRIVACY 09 SINGLE DUMMY 01MS PASSAGE MORTISE BOX  
 02MS PRIVACY MORTISE BOX 02MB PRIVACY with 0219 BOLT  
 EXAMPLE OF ORDERING: LEVER/KNOB - PLATE - FUNCTION



Section A

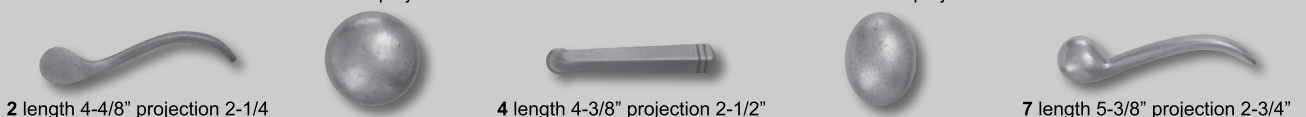
Lever/Knob	Plate	Function	Description	H	T
2,3,4,5,7	68, 68N	-01	PASSAGE TUBULAR		X
2,3,4,5,7	68, 68N	-01MS	PASSAGE MORTISE BOX	X	X
2,3,4,5,7	68, 68N	-02	PRIVACY TUBULAR		X
2,3,4,5,7	68, 68N	-02MS	PRIVACY MORTISE BOX	X	X
2,3,4,5,7	68, 68N	-02MB	PRIVACY TUBULAR WITH 0219	X	X
2,3,4,5,7	68, 68N	-09	SINGLE DUMMY	X	

Split Finish up-charge: Refer to pricing catalogue.  
 Split Trim up-charge: Refer to pricing catalogue.  
 N = No Line

H = indicate handing of door  
 T = indicate thickness of door

3 diameter 2-1/4" projection 2-5/8"

5 diameter 1-3/4" 2-1/4" projection 2-5/8"



2 length 4-4/8" projection 2-1/4"

4 length 4-3/8" projection 2-1/2"

7 length 5-3/8" projection 2-3/4"